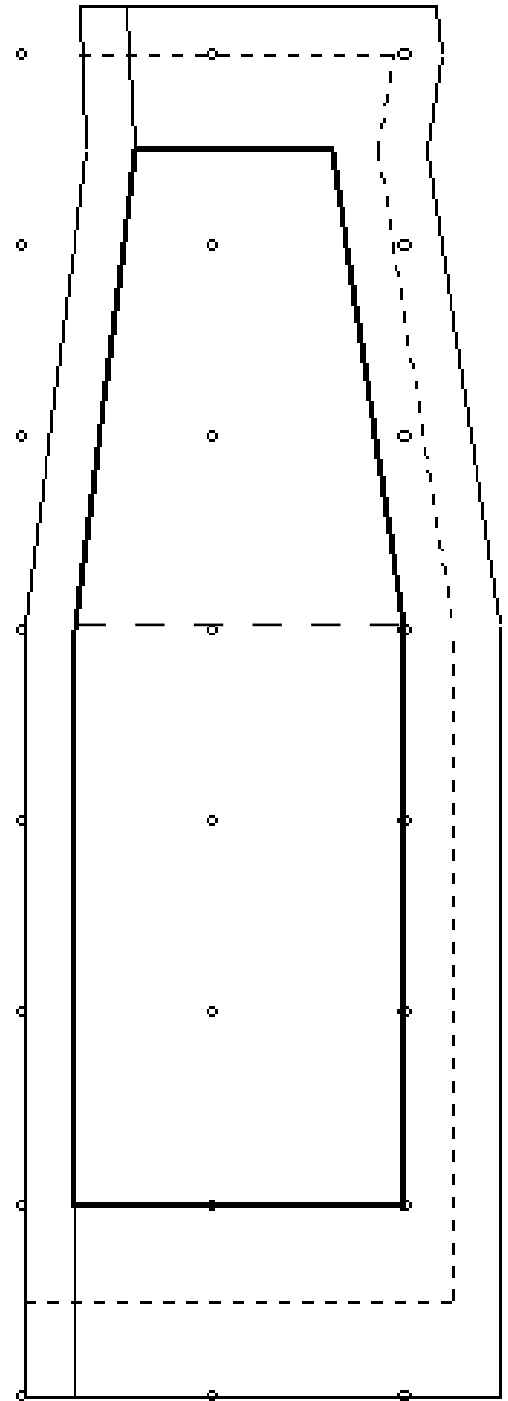
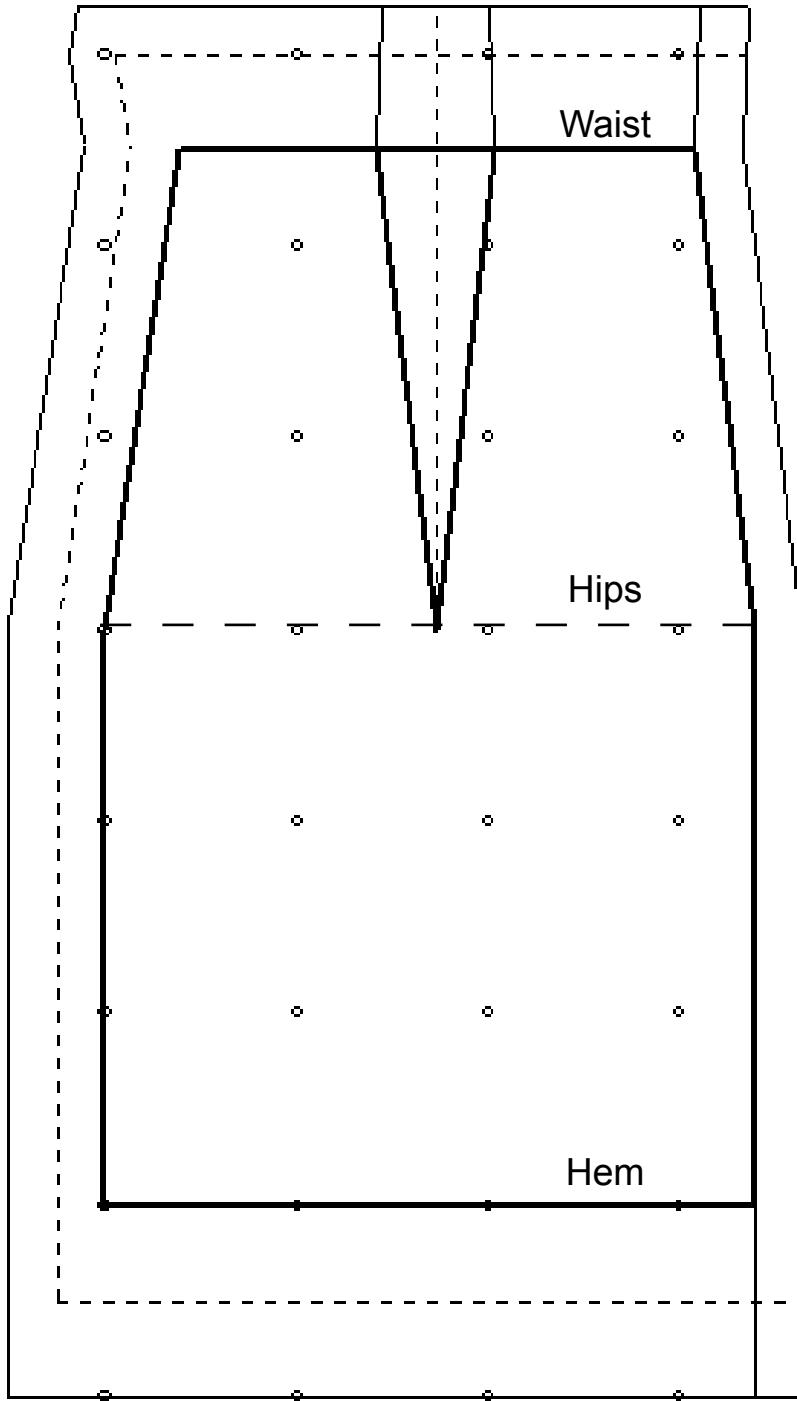


# *Sewing Patterns*



8" by 10" (25.4cm by 20.3cm)